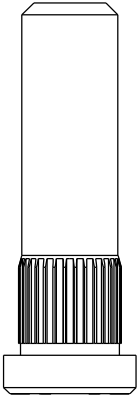
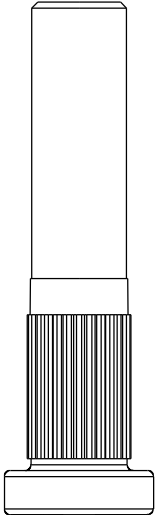
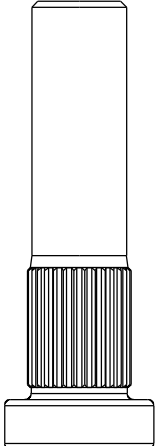
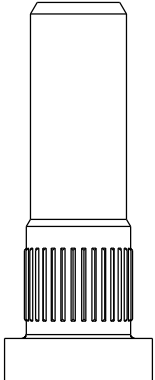
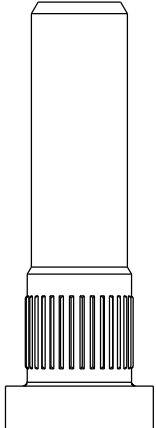
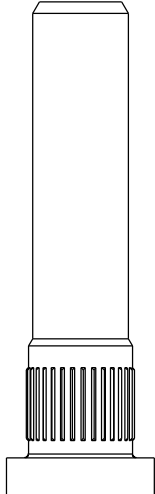
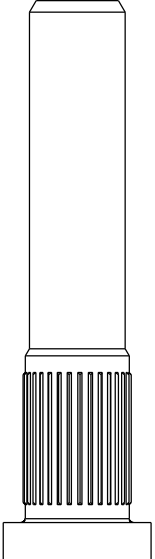
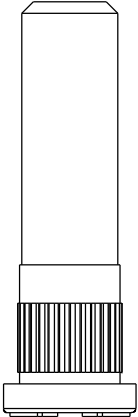
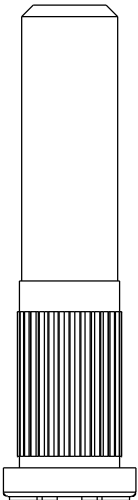
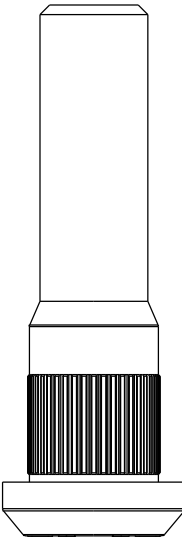
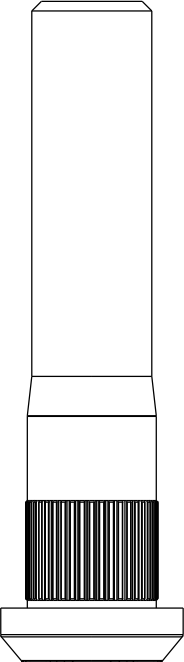
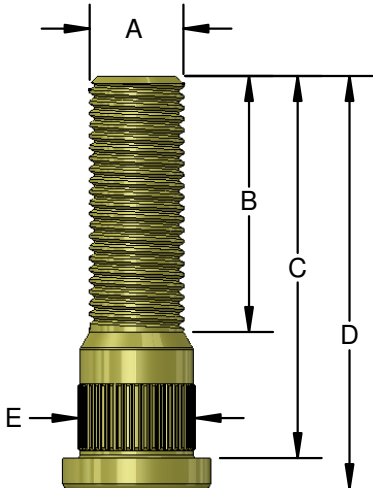


TDE STUD IDENTIFICATION

1) 	2) 	3) 	4) *TO BE DRAWN	5) 	6) 	7) *TO BE DRAWN	8) 	9) 
11118	11119	11123	11129	11131	11132	11133	11134	11137

10) 	11) 	12) 	13) 	14) 
11138	11139	11140	11141	11377

NOTES:

- 1) ALL DIMENSIONS ARE IN INCHES.
- 2) STUD DRAWINGS ARE 1:1 WITH ACTUAL PART.

ITEM	P/N	DIMENSIONS				
		A	B	C	D	E
1	11118	1/2	1.320	1.840	2.040	0.540
2	11119	1/2	1.440	2.440	2.670	0.540
3	11123	1/2	1.320	2.070	2.330	0.540
4	11129	1/2	1.471	2.531	2.781	0.540
5	11131	1/2	1.130	1.750	2.000	0.560
6	11132	1/2	1.380	2.000	2.250	0.560
7	11133	1/2	TBD	2.520	TBD	TBD
8	11134	1/2	1.760	2.380	2.630	0.560
9	11137	1/2	1.813	2.719	2.970	0.560
10	11138	1/2	1.370	1.990	2.140	0.545
11	11139	1/2	1.437	2.410	2.560	0.545
12	11140	9/16	1.500	2.485	2.765	0.689
13	11141	5/8	1.813	3.160	3.440	0.689
14	11377	1/2	1.190	2.000	2.300	0.617